

Sanitary Filter



Sanitary Filter



Material

Steel parts: 304 or 316L
Seal: EPDM (with standard) or NBR (optional)

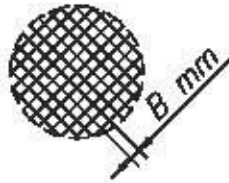
Technical parameter

Work pressure: 0~10 bar
Work temperature: -20~ +135 °C (EPDM as seal)
Temperature range: -10°C to 250°C



Screen: Metal Mesh

| Mesh | B (mm) | Useful surface (%) |
|------|--------|--------------------|
| 30 | 0.66 | 48 |
| 40 | 0.40 | 46 |
| 60 | 0.30 | 52.6 |
| 80 | 0.20 | 42 |
| 100 | 0.15 | 36.2 |
| 166 | 0.10 | 45.4 |



Screen: Perforated Plate

| A(mm) | Useful surface (%) |
|-------|--------------------|
| 0.5 | 15 |
| 1 | 28 |
| 1.5 | 33 |
| 2 | 30 |
| 3 | 33 |
| 5 | 46 |



Sanitary Filter



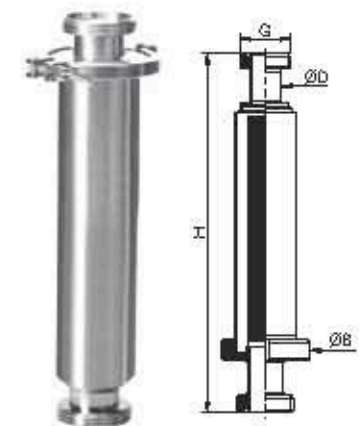
Welded Straight Strainer

| DIN | Size | | | | | | | | H | B |
|-------|--------|--------|-----------|-----|----------|---------|----------|-------|-------|---|
| | DxT | 3A | DxT | SMs | DxT | ISO/IDF | DxT | | | |
| DN25 | 28x1.5 | 1" | 25.4x1.66 | 25 | 25.4x1.5 | ♂25 | 25.4x1.5 | 325.0 | 114.0 | |
| DN32 | 34x1.5 | 1 1/4" | 31.8x1.66 | 32 | 31.8x1.5 | ♂32 | 31.8x1.5 | 330.0 | 114.0 | |
| DN40 | 40x1.5 | 1 1/2" | 38.1x1.66 | 38 | 38.1x1.5 | ♂38 | 38.1x1.5 | 330.0 | 114.0 | |
| DN50 | 52x1.5 | 2" | 50.8x1.66 | 51 | 50.8x1.5 | ♂51 | 50.8x1.5 | 350.0 | 125.0 | |
| DN65 | 70x2 | 2 1/2" | 63.5x1.66 | 63 | 63.5x2 | ♂63 | 63.5x2 | 405.0 | 138.0 | |
| DN80 | 85x2 | 3" | 76.2x1.66 | 76 | 76.2x2 | ♂76 | 76.2x2 | 500.0 | 148.0 | |
| DN100 | 104x2 | 4" | 101.6x2.1 | 102 | 101.6x2 | ♂102 | 101.6x2 | 600.0 | 178.0 | |



Clamped Straight Strainer

| DIN | Size | | | | | | | | H | B |
|-------|-----------|--------|-------------|-----|-------------|---------|-------------|-------|-------|---|
| | DxK | 3A | DxK | SMs | DxK | ISO/IDF | DxK | | | |
| DN25 | 28x50.5 | 1" | 25.4x50.5 | 25 | 25.4x50.5 | ♂25 | 25.4x50.5 | 360.0 | 114.0 | |
| DN32 | 34x50.5 | 1 1/4" | 31.8x50.5 | 32 | 31.8x50.5 | ♂32 | 31.8x50.5 | 360.0 | 114.0 | |
| DN40 | 40x50.5 | 1 1/2" | 38.1x50.5 | 38 | 38.1x50.5 | ♂38 | 38.1x50.5 | 360.0 | 114.0 | |
| DN50 | 52x64.0 | 2" | 50.8x64.0 | 51 | 50.8x64.0 | ♂51 | 50.8x64.0 | 390.0 | 125.0 | |
| DN65 | 70x91.0 | 2 1/2" | 63.5x77.5 | 63 | 63.5x77.5 | ♂63 | 63.5x77.5 | 456.0 | 138.0 | |
| DN80 | 85x105.0 | 3" | 76.2x91.0 | 76 | 76.2x91.0 | ♂76 | 76.2x91.0 | 560.0 | 148.0 | |
| DN100 | 104x119.0 | 4" | 101.6x119.0 | 102 | 101.6x119.0 | ♂102 | 101.6x119.0 | 654.0 | 178.0 | |



Threaded Straight Strainer

| DIN | Size | | | | | | H | B |
|-------|-------|-----------|-----|-------|-----------|-------|-------|---|
| | D | G | SMs | D | G | | | |
| DN25 | 28.0 | RD52x1/6 | 25 | 25.4 | RD40x1/6 | 360.0 | 114.0 | |
| DN32 | 34.0 | RD66x1/6 | 32 | 31.8 | RD48x1/6 | 360.0 | 114.0 | |
| DN40 | 40.0 | RD66x1/6 | 38 | 38.1 | RD60x1/6 | 360.0 | 114.0 | |
| DN50 | 52.0 | RD78x1/6 | 51 | 50.8 | RD70x1/6 | 390.0 | 125.0 | |
| DN65 | 70.0 | RD96x1/6 | 63 | 63.5 | RD85x1/6 | 456.0 | 138.0 | |
| DN80 | 85.0 | RD110x1/4 | 76 | 76.2 | RD96x1/6 | 560.0 | 148.0 | |
| DN100 | 104.0 | RD130x1/4 | 102 | 101.6 | RD125x1/4 | 654.0 | 178.0 | |

Sanitary Filter



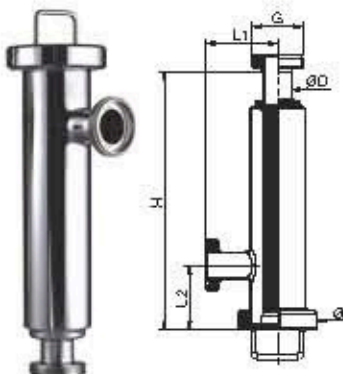
Welded Angle-Type Strainer

| DIN | Size | | | | | | | H | B | L1 | L2 |
|-------|--------|--------|-----------|-----|----------|---------|----------|-------|-------|-------|-------|
| | DxT | 3A | DxT | SMS | DxT | ISO/IDF | DxT | | | | |
| DN25 | 28x1.5 | 1" | 25.4x1.65 | 25 | 25.4x1.5 | φ25 | 25.4x1.5 | 345.0 | 114.0 | 75.0 | 95.0 |
| DN32 | 34x1.5 | 1 1/4" | 31.8x1.65 | 32 | 31.8x1.5 | φ32 | 31.8x1.5 | 345.0 | 114.0 | 75.0 | 95.0 |
| DN40 | 40x1.5 | 1 1/2" | 38.1x1.65 | 38 | 38.1x1.5 | φ38 | 38.1x1.5 | 345.0 | 114.0 | 75.0 | 95.0 |
| DN50 | 52x1.5 | 2" | 50.8x1.65 | 51 | 50.8x1.5 | φ51 | 50.8x1.5 | 375.0 | 125.0 | 89.0 | 110.0 |
| DN65 | 70x2 | 2 1/2" | 63.5x1.65 | 63 | 63.5x2 | φ63 | 63.5x2 | 440.0 | 138.0 | 102.0 | 125.0 |
| DN80 | 85x2 | 3" | 76.2x1.65 | 76 | 76.2x2 | φ76 | 76.2x2 | 575.0 | 148.0 | 114.0 | 145.0 |
| DN100 | 104x2 | 4" | 101.6x2.1 | 102 | 101.6x2 | φ102 | 101.6x2 | 640.0 | 178.0 | 140.0 | 165.0 |



Clamped Angle-Type Strainer

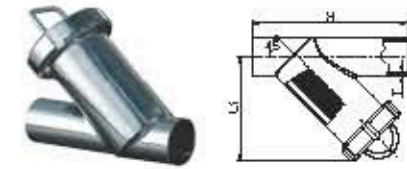
| DIN | Size | | | | | | | H | B | L1 | L2 |
|-------|-----------|--------|-------------|-----|-------------|---------|-------------|-------|-------|-------|-------|
| | DxK | 3A | DxK | SMS | DxK | ISO/IDF | DxK | | | | |
| DN25 | 28x50.5 | 1" | 25.4x50.5 | 25 | 25.4x50.5 | φ25 | 25.4x50.5 | 360.0 | 114.0 | 95.0 | 95.0 |
| DN32 | 34x50.5 | 1 1/4" | 31.8x50.5 | 32 | 31.8x50.5 | φ32 | 31.8x50.5 | 360.0 | 114.0 | 95.0 | 95.0 |
| DN40 | 40x50.5 | 1 1/2" | 38.1x50.5 | 38 | 38.1x50.5 | φ38 | 38.1x50.5 | 360.0 | 114.0 | 95.0 | 95.0 |
| DN50 | 52x64.0 | 2" | 50.8x64.0 | 51 | 50.8x64.0 | φ51 | 50.8x64.0 | 390.0 | 125.0 | 109.0 | 110.0 |
| DN65 | 70x91.0 | 2 1/2" | 63.5x77.5 | 63 | 63.5x77.5 | φ63 | 63.5x77.5 | 460.0 | 138.0 | 125.0 | 125.0 |
| DN80 | 85x105.0 | 3" | 76.2x91.0 | 76 | 76.2x91.0 | φ76 | 76.2x91.0 | 530.0 | 148.0 | 134.0 | 145.0 |
| DN100 | 104x119.0 | 4" | 101.6x119.0 | 102 | 101.6x119.0 | φ102 | 101.6x119.0 | 665.0 | 178.0 | 160.0 | 165.0 |



Threaded Angle-Type Strainer

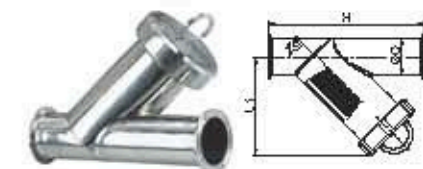
| DIN | Size | | | | | | | H | B | L1 | L2 |
|-------|-------|-----------|-----|-------|-----------|-------|-------|-------|-------|----|----|
| | D | G | SMS | D | G | H | B | | | | |
| DN25 | 28.0 | RD52x1/5 | 25 | 25.4 | RD40x1/5 | 360.0 | 114.0 | 95.0 | 95.0 | | |
| DN32 | 34.0 | RD58x1/5 | 32 | 31.8 | RD48x1/5 | 360.0 | 114.0 | 95.0 | 95.0 | | |
| DN40 | 40.0 | RD65x1/5 | 38 | 38.1 | RD60x1/5 | 360.0 | 114.0 | 95.0 | 95.0 | | |
| DN50 | 52.0 | RD78x1/5 | 51 | 50.8 | RD70x1/5 | 390.0 | 125.0 | 109.0 | 110.0 | | |
| DN65 | 70.0 | RD95x1/5 | 63 | 63.5 | RD85x1/5 | 450.0 | 138.0 | 125.0 | 125.0 | | |
| DN80 | 85.0 | RD110x1/4 | 76 | 76.2 | RD98x1/5 | 530.0 | 148.0 | 134.0 | 145.0 | | |
| DN100 | 104.0 | RD130x1/4 | 102 | 101.6 | RD125x1/4 | 665.0 | 178.0 | 160.0 | 165.0 | | |

Sanitary Filter



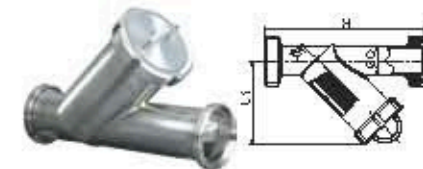
Welded Y-type Strainer

| DIN | Size | | | | | | | H | L1 |
|-------|--------|--------|-----------|-----|----------|---------|----------|-------|-------|
| | DxT | 3A | DxT | SMS | DxT | ISO/IDF | DxT | | |
| DN25 | 28x1.5 | 1" | 25.4x1.65 | 25 | 25.4x1.5 | φ25 | 25.4x1.5 | 120.0 | 115.0 |
| DN32 | 34x1.5 | 1 1/4" | 31.8x1.65 | 32 | 31.8x1.5 | φ32 | 31.8x1.5 | 160.0 | 140.0 |
| DN40 | 40x1.5 | 1 1/2" | 38.1x1.65 | 38 | 38.1x1.5 | φ38 | 38.1x1.5 | 170.0 | 160.0 |
| DN50 | 52x1.5 | 2" | 50.8x1.65 | 51 | 50.8x1.5 | φ51 | 50.8x1.5 | 190.0 | 182.0 |
| DN65 | 70x2 | 2 1/2" | 63.5x1.65 | 63 | 63.5x2 | φ63 | 63.5x2 | 235.0 | 245.0 |
| DN80 | 85x2 | 3" | 76.2x1.65 | 76 | 76.2x2 | φ76 | 76.2x2 | 280.0 | 285.0 |
| DN100 | 104x2 | 4" | 101.6x2.1 | 102 | 101.6x2 | φ102 | 101.6x2 | 345.0 | 345.0 |



Clamped Y-type Strainer

| DIN | Size | | | | | | | H | L1 |
|-------|-----------|--------|-------------|-----|-------------|---------|-------------|-------|-------|
| | DxK | 3A | DxK | SMS | DxK | ISO/IDF | DxK | | |
| DN25 | 28x50.5 | 1" | 25.4x50.5 | 25 | 25.4x50.5 | φ25 | 25.4x50.5 | 145.0 | 95.0 |
| DN32 | 34x50.5 | 1 1/4" | 31.8x50.5 | 32 | 31.8x50.5 | φ32 | 31.8x50.5 | 165.0 | 110.0 |
| DN40 | 40x50.5 | 1 1/2" | 38.1x50.5 | 38 | 38.1x50.5 | φ38 | 38.1x50.5 | 180.0 | 120.0 |
| DN50 | 52x64.0 | 2" | 50.8x64.0 | 51 | 50.8x64.0 | φ51 | 50.8x64.0 | 220.0 | 140.0 |
| DN65 | 70x91.0 | 2 1/2" | 63.5x77.5 | 63 | 63.5x77.5 | φ63 | 63.5x77.5 | 280.0 | 175.0 |
| DN80 | 85x105.0 | 3" | 76.2x91.0 | 76 | 76.2x91.0 | φ76 | 76.2x91.0 | 350.0 | 195.0 |
| DN100 | 104x119.0 | 4" | 101.6x119.0 | 102 | 101.6x119.0 | φ102 | 101.6x119.0 | 500.0 | 260.0 |



Threaded Y-type Strainer

| DIN | Size | | | | | | | H | L1 |
|-------|-------|-----------|-----|-------|-----------|-------|-------|---|----|
| | D | G | SMS | D | G | H | B | | |
| DN25 | 28.0 | RD52x1/5 | 25 | 25.4 | RD40x1/5 | 145.0 | 95.0 | | |
| DN32 | 34.0 | RD58x1/5 | 32 | 31.8 | RD48x1/5 | 165.0 | 110.0 | | |
| DN40 | 40.0 | RD65x1/5 | 38 | 38.1 | RD60x1/5 | 180.0 | 120.0 | | |
| DN50 | 52.0 | RD78x1/5 | 51 | 50.8 | RD70x1/5 | 220.0 | 140.0 | | |
| DN65 | 70.0 | RD95x1/5 | 63 | 63.5 | RD85x1/5 | 280.0 | 175.0 | | |
| DN80 | 85.0 | RD110x1/4 | 76 | 76.2 | RD98x1/5 | 350.0 | 195.0 | | |
| DN100 | 104.0 | RD130x1/4 | 102 | 101.6 | RD125x1/4 | 500.0 | 260.0 | | |